

customer name _____

street name _____

city, state, zip _____

telephone _____

P.O. # _____ total # of pieces _____

sales associate _____

telephone _____

customer order # _____

date _____

When using more than one page for the same customer, be sure to enter the customer's name and customer order number on each page.

Use this side of form to order Sectional units. Check the style numbers you want, enter quantity and price. Check the box below the option number you are ordering. Options are the same for each unit in a sectional group. Enter fabric choice.

Sectional Style Numbers:

<input type="checkbox"/> 6000 S-LAF Left Arm Facing Sofa	Quantity _____	Sales Price _____
<input type="checkbox"/> 6000 S-RAF Right Arm Facing Sofa	Quantity _____	Sales Price _____
<input type="checkbox"/> 6000 L-LAF Left Arm Facing Loveseat	Quantity _____	Sales Price _____
<input type="checkbox"/> 6000 L-RAF Right Arm Facing Loveseat	Quantity _____	Sales Price _____
<input type="checkbox"/> 6000 CS-LAF Left Arm Facing Corner Sofa	Quantity _____	Sales Price _____
<input type="checkbox"/> 6000 CS-RAF Right Arm Facing Corner Sofa	Quantity _____	Sales Price _____
<input type="checkbox"/> 6000 Q-LAF Left Arm Facing Queen Sleeper	Quantity _____	Sales Price _____
<input type="checkbox"/> 6000 Q-RAF Right Arm Facing Queen Sleeper	Quantity _____	Sales Price _____
<input type="checkbox"/> 6000 AC Armless Chair	Quantity _____	Sales Price _____
<input type="checkbox"/> 6000 AL Armless Loveseat	Quantity _____	Sales Price _____
<input type="checkbox"/> 6000 CH-RAF Right Arm Chaise	Quantity _____	Sales Price _____
<input type="checkbox"/> 6000 CH-LAF Left Arm Chaise	Quantity _____	Sales Price _____

Independent Unit Style Numbers:

<input type="checkbox"/> 6000 Q Queen Sleeper Sofa	Quantity _____	Sales Price _____
<input type="checkbox"/> 6000 R Regular Sleeper Sofa	Quantity _____	Sales Price _____
<input type="checkbox"/> 6000 S Sofa	Quantity _____	Sales Price _____
<input type="checkbox"/> 6000 D Demi-Sofa	Quantity _____	Sales Price _____
<input type="checkbox"/> 6000 L Loveseat	Quantity _____	Sales Price _____
<input type="checkbox"/> 6000 C Chair	Quantity _____	Sales Price _____
<input type="checkbox"/> SW-6000-C Swivel Chair	Quantity _____	Sales Price _____
<input type="checkbox"/> 6000 O Ottoman	Quantity _____	Sales Price _____

arm

- A1-Lawson Sock
- A2-Lawson Shirred
- A3-Lawson Pleated
- A4-Lawson Recessed Panel
- A5-Charles of London
(available only with T-front cushion)
- A6-Southwest Sock
- A7-Southwest Shirred
- A8-Southwest Pleated
- A9-Southwest Recessed

back

- B1-Knife Edge
- B2-Box
- B3-Multi-Pillow
(Not available for chairs)
- B4-Bed Pillow

skirt/base

- S1-Dressmaker Skirt
- S2-Wedge Foot*
(*Must specify Wood Finish)
- S3-Turned Foot*
(*Must specify Wood Finish)

cushion

- All cushions are Millennium Cushion Standard.
- C1-T-Cushion (3 Cushions)
 - C2-S-Cushion (3 Cushions)
(C1 & C2 Not available on Demi or Loveseat)
 - C3-T-Cushion (2 Cushions)
 - C4-S-Cushion (2 Cushions)
(C3 & C4 Not available on Sectionals)

Style # _____	Description _____	Quantity _____	Sale Price _____
Fabric Pattern _____	Color _____	Contrast Welt (up charge) _____	Sectional Connectors (upcharge) _____
ARM A1 <input type="checkbox"/> A2 <input type="checkbox"/> A3 <input type="checkbox"/> A4 <input type="checkbox"/> A5 <input type="checkbox"/>	BACK 1 <input type="checkbox"/> 2 <input type="checkbox"/>	SKIRT/BASE S1 <input type="checkbox"/> S2 <input type="checkbox"/> S3 <input type="checkbox"/> WOOD FINISH _____	CUSHION C1 <input type="checkbox"/> C2 <input type="checkbox"/>
A6 <input type="checkbox"/> A7 <input type="checkbox"/> A8 <input type="checkbox"/> A9 <input type="checkbox"/>	3 <input type="checkbox"/> 4 <input type="checkbox"/>		C3 <input type="checkbox"/> C4 <input type="checkbox"/>

Style # _____	Description _____	Quantity _____	Sale Price _____
Fabric Pattern _____	Color _____	Contrast Welt (up charge) _____	Sectional Connectors (upcharge) _____
ARM A1 <input type="checkbox"/> A2 <input type="checkbox"/> A3 <input type="checkbox"/> A4 <input type="checkbox"/> A5 <input type="checkbox"/>	BACK 1 <input type="checkbox"/> 2 <input type="checkbox"/>	SKIRT/BASE S1 <input type="checkbox"/> S2 <input type="checkbox"/> S3 <input type="checkbox"/> WOOD FINISH _____	CUSHION C1 <input type="checkbox"/> C2 <input type="checkbox"/>
A6 <input type="checkbox"/> A7 <input type="checkbox"/> A8 <input type="checkbox"/> A9 <input type="checkbox"/>	3 <input type="checkbox"/> 4 <input type="checkbox"/>		C3 <input type="checkbox"/> C4 <input type="checkbox"/>

Style # _____	Description _____	Quantity _____	Sale Price _____
Fabric Pattern _____	Color _____	Contrast Welt (up charge) _____	Sectional Connectors (upcharge) _____
ARM A1 <input type="checkbox"/> A2 <input type="checkbox"/> A3 <input type="checkbox"/> A4 <input type="checkbox"/> A5 <input type="checkbox"/>	BACK 1 <input type="checkbox"/> 2 <input type="checkbox"/>	SKIRT/BASE S1 <input type="checkbox"/> S2 <input type="checkbox"/> S3 <input type="checkbox"/> WOOD FINISH _____	CUSHION C1 <input type="checkbox"/> C2 <input type="checkbox"/>
A6 <input type="checkbox"/> A7 <input type="checkbox"/> A8 <input type="checkbox"/> A9 <input type="checkbox"/>	3 <input type="checkbox"/> 4 <input type="checkbox"/>		C3 <input type="checkbox"/> C4 <input type="checkbox"/>

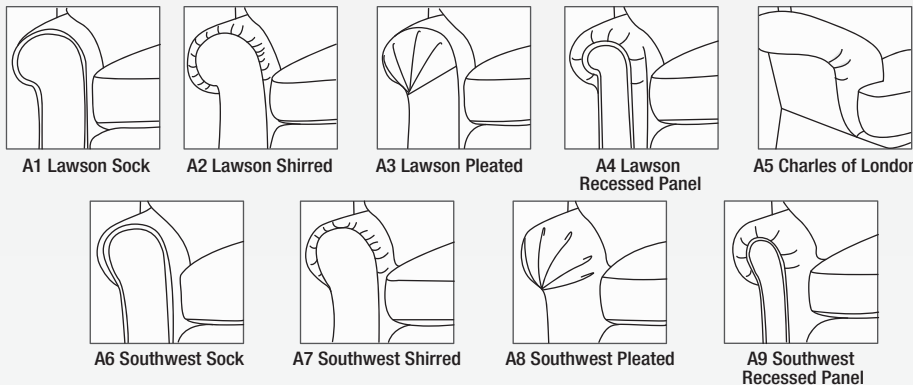
Style # _____	Description _____	Quantity _____	Sale Price _____
Fabric Pattern _____	Color _____	Contrast Welt (up charge) _____	Sectional Connectors (upcharge) _____
ARM A1 <input type="checkbox"/> A2 <input type="checkbox"/> A3 <input type="checkbox"/> A4 <input type="checkbox"/> A5 <input type="checkbox"/>	BACK 1 <input type="checkbox"/> 2 <input type="checkbox"/>	SKIRT/BASE S1 <input type="checkbox"/> S2 <input type="checkbox"/> S3 <input type="checkbox"/> WOOD FINISH _____	CUSHION C1 <input type="checkbox"/> C2 <input type="checkbox"/>
A6 <input type="checkbox"/> A7 <input type="checkbox"/> A8 <input type="checkbox"/> A9 <input type="checkbox"/>	3 <input type="checkbox"/> 4 <input type="checkbox"/>		C3 <input type="checkbox"/> C4 <input type="checkbox"/>

Leave it to us, so you can relax.

MILES TALBOTT

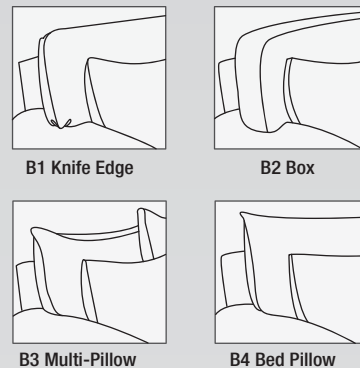
6000 SERIES | Options

arms



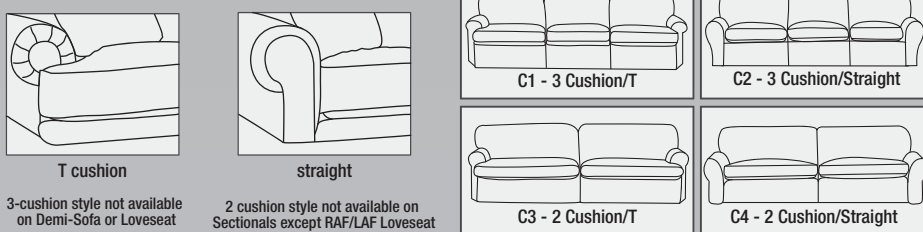
backs

Multi-Pillow back not available on Chair.

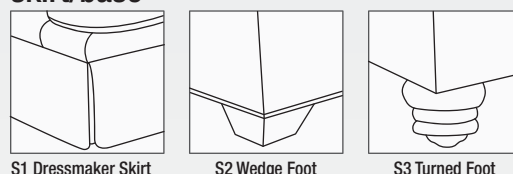


cushions

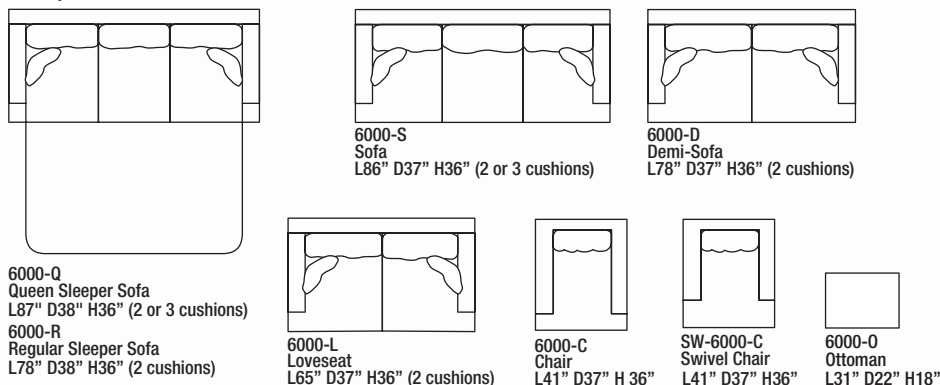
All cushions are Millennium Cushion Standard.



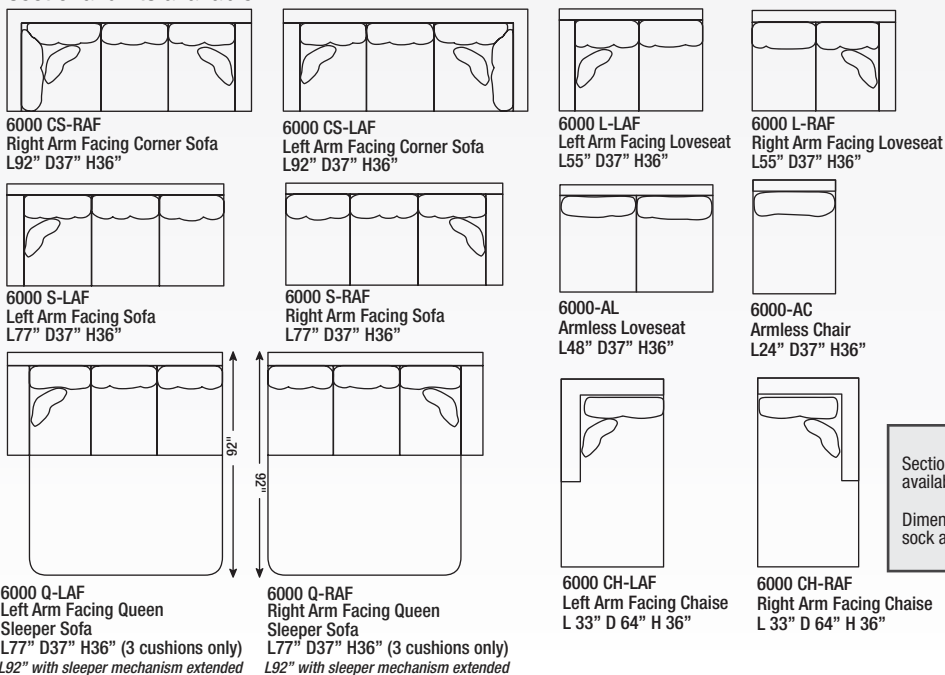
skirt/base



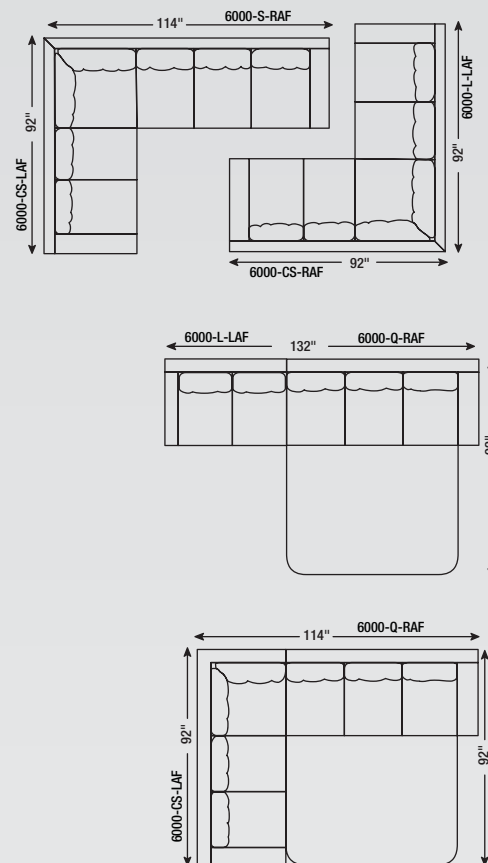
independent units available



sectional units available



suggested groupings



Sectional connectors do not come standard, but are available on any style for an upcharge.

Dimensions may vary slightly and are based on the sock arm as standard.

All Pieces:
Inside Seat Height: 20"
Inside Seat Depth: 21"
Arm Height: 24"

Leave it to us, so you can relax.

MILES TALBOTT